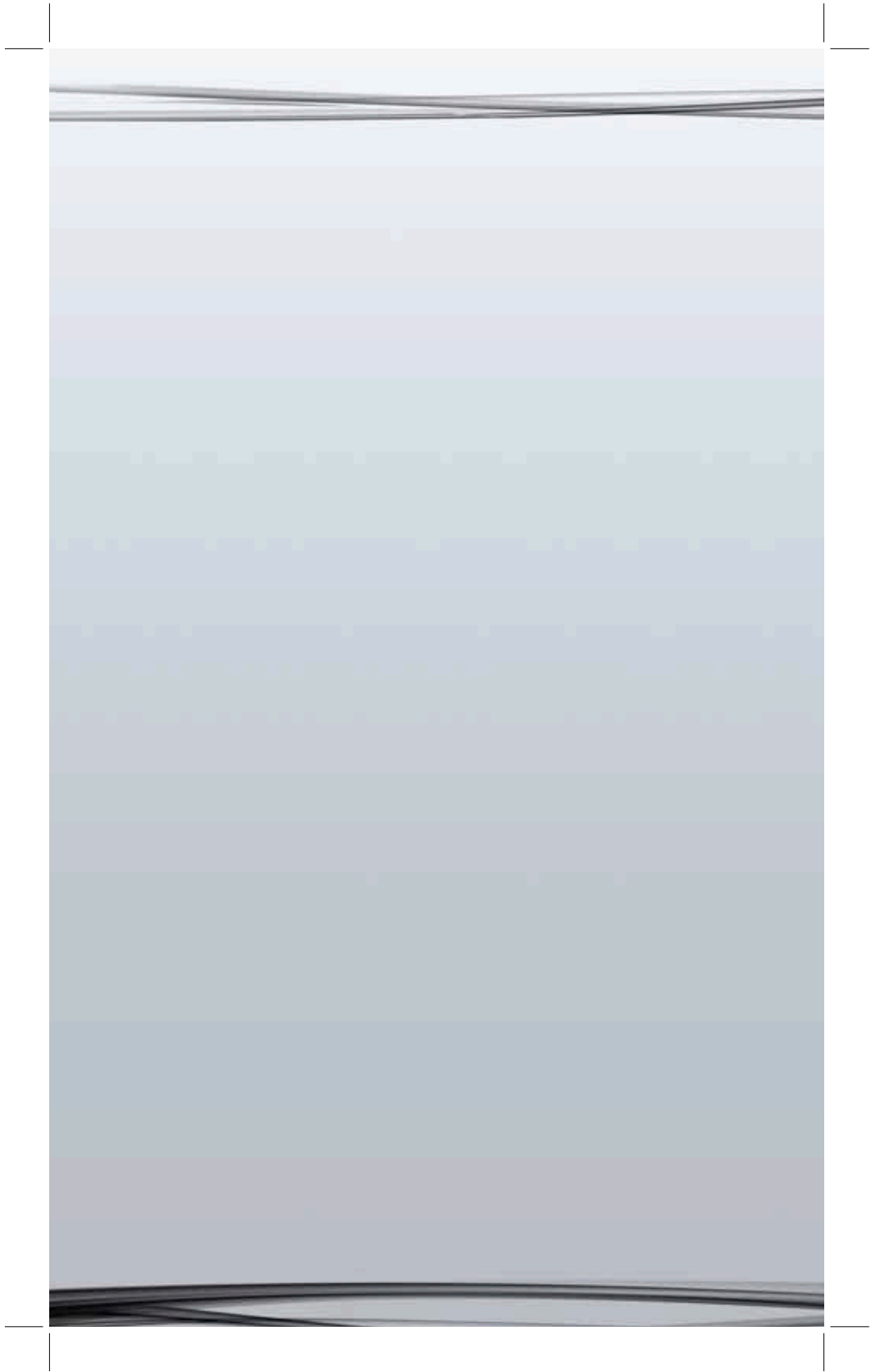




EON





PREFACE

Dear Hyundai,

We welcome you to Hyundai Family! Thank you for choosing Hyundai EON and we assure you years of driving pleasure.

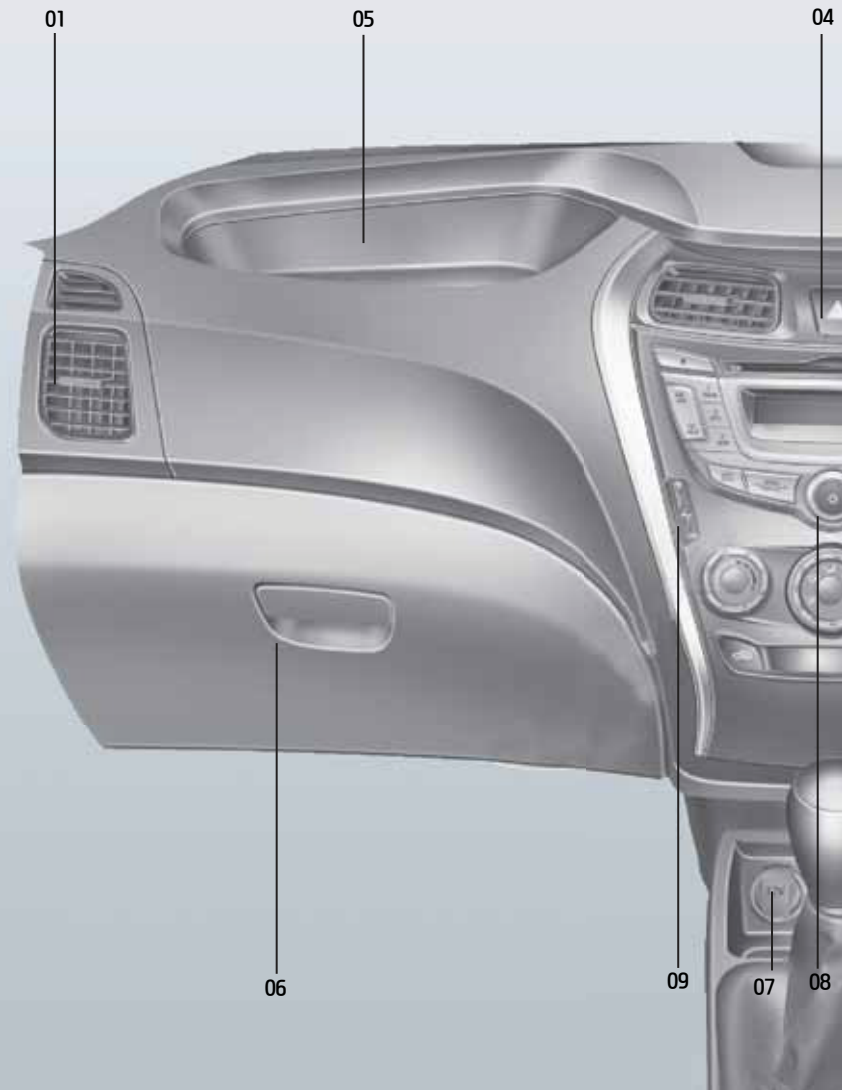
Start enjoying your Hyundai Eon the moment you go through this manual. It will help you learn how to operate your car, right from the driving/ instrument controls, functions to all other convenience items.

Quick reference guide will help you keeping your car trouble free thus preserving your investment.

For any kind of maintenance query or assistance please feel free to contact your Hyundai dealer. We will be happy to help you resolving your concerns.

Happy Motoring!

INSTRUMENT PANEL & OTHER CONTROLS

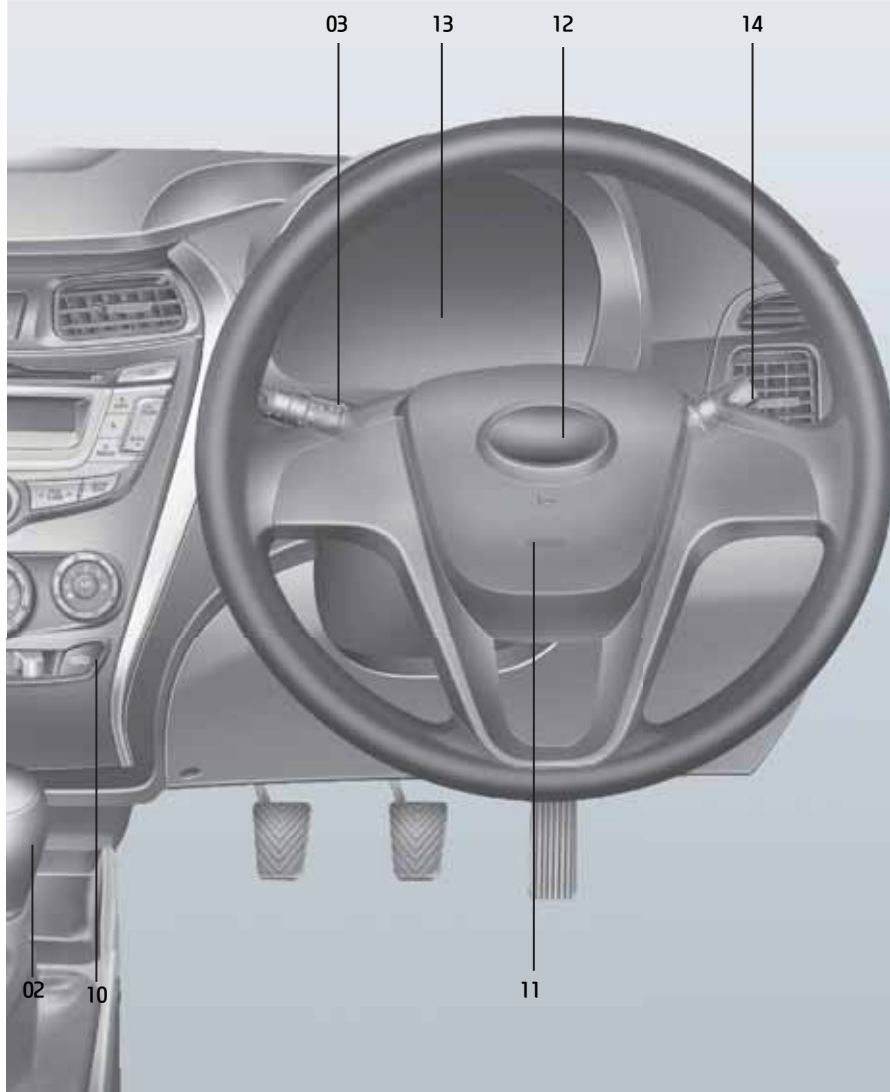


- 01. A/C Duct
- 02. Gear Level
- 03. Windshield wiper/ washer switch
- 04. Hazard switch

- 05. Exclusive Dashboard Storage
- 06. Glove Box
- 07. Power outlet
- 08. Audio Control



EON



- 09. Aux/ USB plug-in Port
- 10. Recirculation Switch
- 11. Air Bag Control
- 12. Horn Pad

- 13. Instrument Cluster
- 14. Head lamp/tarn sigal switch

Vehicle Identification Number (VIN):

A Vehicle Identification Number or Chassis Number, commonly abbreviated to VIN, is a Unique Serial Number used by the automotive industry to identify individual motor vehicles. The vehicle identification number (VIN) is the number used in registering your car and in all legal matters pertaining to its ownership, etc. The number is punched on the floor under the front passenger seat.



Engine Number

Every vehicle engine is marked with an engine number by the factory. The engine number includes coded information, such as year of manufacture, country of manufacture, and engine type. The engine number is stamped on the Engine block as shown in the picture.



Tire specification and pressure label

The tires supplied on your new vehicle are chosen to provide the best performance for normal driving. The tire label located on the driver's side center pillar gives the tire pressures recommended for your car.



- Keep the recommended tire pressure (33 psi - Normal Load & 36psi- Maximum Load)
- Indian roads have slope towards the outer side (3°-6°), which may cause the vehicle to drift outwards.
- While driving, always hold the steering wheel lightly so that the vehicle moves straight.



SAFETY

Keys: Keys can be used to start the engine, lock or unlock the doors (or tailgate).

Remote Keyless entry (If equipped)

- This function helps you to conveniently lock/ unlock the door locks from a distance or when inside the cabin, giving you maximum safety and protection
- The doors will not lock if the ignition key is in ignition switch.

Unlock: All hazard lights blink twice to indicate all doors are unlocked.

Lock: All hazard lights blink once to indicate all doors are locked.

Central Locking (If Installed)

- The driver's door lock controls the central locking system.
- When the driver's door is locked/Unlocked the passenger doors also get locked/Unlocked automatically.

Immobilizer System (If Equipped)

Electronic Engine Immobilizer System is provided to reduce the risk of unauthorized vehicle use.



To deactivate the immobilizer system
Insert the ignition key into the key cylinder and turn it to the ON position.


To activate the immobilizer system
Turn the ignition key to the OFF position. The immobilizer system activates automatically. Without a valid ignition key for your vehicle, the engine will not start.

Child-Protector Rear Door Lock

- Child-protector rear door lock feature is provided so that the doors cannot be opened from inside.
- Move the protector lever to the "Lock" position and close the door to activate.
- Move the lever to the "Un-Lock" position when normal door operation is desired.
- To open the door from outside, pull the outside door handle.



Air Bag – Supplemental Restraint System (If Equipped)

 An Airbag is a vehicle safety device. Airbag inflates instantly in the event of a serious frontal collision in order to help protect the occupant from serious physical injury.



WARNING

Even in vehicles with air bags, you and your passengers must always wear the safety belts provided in order to minimize the risk and severity of injury in the event of a collision or rollover.

Child Restraint System

Children riding in the car should sit in the rear seat and must always be properly restrained to minimize the risk of injury in an accident, sudden stop or sudden maneuver.

**Seat and Seat Belts****How to make yourself sit comfortably?****Adjusting seat Forward and Rearward**

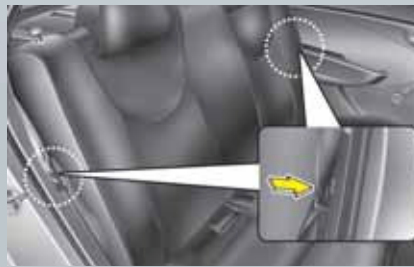
To move the seat forward or rearward, pull the seat slide adjustment lever up and hold it. Slide the seat to the position you desire. Release the lever and make sure the seat is locked in place.

Adjusting Seat Back Angle

To recline the seatback, lean forward slightly and pull up the front portion of the seatback recline lever. Carefully lean back on the seat and adjust the seatback of the seat to the position you desire. Release the lever and make sure the seatback is locked in place. (The lever MUST return to its original position for the seatback to lock.)

Rear Seat Adjustment (if equipped)**To fold down the rear seatback:**

1. Set the front seatback to the upright position and if necessary, slide the front seat forward.
2. Insert the rear lap/shoulder belt plate into the holder on the side trim not to interfere with the seatback when folding down.
3. Pull up the rear seatback folding lever(s) and fold the rear seatback forward and down firmly.



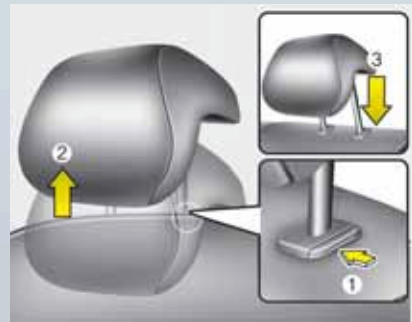
4. To use the rear seat, lift and push the seatback rearward. Push the seatback firmly until it clicks into place. Make sure the seatback is locked in place.
5. Return the rear seat belt to the proper position.



Headrests

Adjusting the height up and down (If equipped)

- To raise the headrest, pull it up to the desired position or remove completely (2).
- To lower the headrest, push and hold the release button (1) on the headrest support and lower the headrest to the desired position (3).



Seatbelts

For maximum restraint system protection, the seat belts must always be used whenever the car is moving.

To fasten your seat belt

To fasten your seat belt, pull it out of the retractor and insert the metal tab (1) into the buckle (2). There will be an audible "click" when the tab locks into the buckle. The seat belt automatically adjusts to the proper length only after the lap belt portion is adjusted manually.



To release the seat belt

The seat belt is released by pressing the release button (1) in the locking buckle. When it is released, the belt should automatically draw back into the retractor.



Trip Meter

The trip computer displays information related to driving such as outside temperature, trip meter on LCD. Pushing in the TRIP switch for less than 1 second when the ignition switch is in ON position changes the display as follows.

Driving time

This mode indicates the total time traveled since the last driving time reset. Even if the vehicle is not in motion, the driving time keeps going while engine is running.

Digital Clock (if equipped)

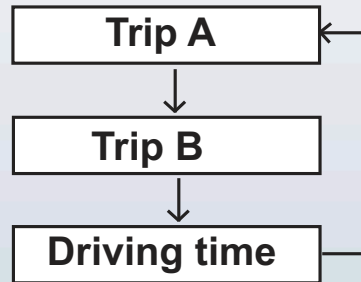
Whenever the battery terminals or related fuses are disconnected, you must reset the time. When the ignition switch is in the ACC or ON position, CLOCK operates by pressing the [CLOCK] button for less than 1 second. The current time will be displayed for 5 seconds. After 5 seconds it will return to the previous screen.

Power Windows (If Equipped)

- The ignition switch must be in the ON position for power windows to operate.
 - The front door has a power window switch that controls the door's window.
 - Additionally, the driver's door has a master power window switch that controls the front windows in the vehicle.
- Operation:** To open or close a window, press down or pull up the front portion of the corresponding switch.

Manual windows:

- **Operation:** To raise or lower the window, turn the window regulator handle clockwise or counterclockwise.



Mirrors

Adjusting: To adjust an outside mirror, move the control lever.



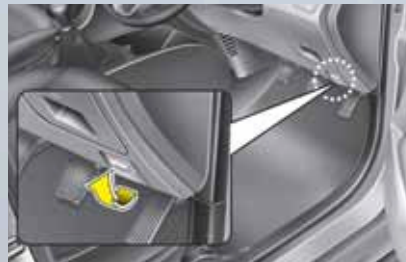
Folding and Unfolding: To fold the outside rearview mirror, grasp the housing of the mirror and then fold it toward the rear of the vehicle.



Operating Engine Hood, Tailgate and Fuel Filler Lid

Engine Hood

1. Pull the release lever to unlatch the hood. The hood should pop open slightly.



2. Go to the front of the vehicle, raise the hood slightly, push the secondary latch (1) inside of the hood center and lift the hood (2).



3. Pull out the support rod from the hood.

4. Hold the hood open with the support rod.



Tailgate

- The tailgate unlocks by turning the key to the "Unlock" position. The tailgate locks automatically when it is closed.
- The tailgate unlocks by pulling up the tailgate release lever.
- If unlocked, the tailgate can be opened by pulling up the tailgate by the handle.



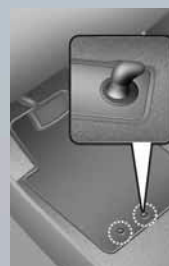
Fuel Filler Lid

- The fuel filler lid must be opened from inside the vehicle by pulling up the fuel filler lid opener located on the front floor area under the driver's seat.



Floor mat anchor(s)

When using a floor mat on the front floor carpet, make sure it attaches to the floor mat anchor(s) in your vehicle. This keeps the floor mat from sliding forward.




HEADLAMPS

To operate the headlamps , turn the switch on the end of the lever.

OFF - Headlights are off

 - Parking lights

 - Headlights

Note : The ignition must be in the ON position to turn on the headlights.

High Beam Activation: Push the lever forward (away from you)

Flash To Pass Feature: Pull the lever toward you and release



Using Headlamp levelling device:

Headlight beam should be adjusted according to the number of passengers and the loading weight in the luggage area. Higher the number of switch position lower will be the headlight beam level.

Listed below are the examples of proper switch settings.



Loading condition	Switch position
Driver only	0
Driver + Front passenger	0
Driver + Full passenger	1
Full passenger (including driver) + Maximum permissible loading	2
Driver + Maximum permissible loading	3

How to remove Headlight condensation/ moisture.

- After heavy rain or washing, mist/moisture can be formed inside headlight and taillamps due to temperature difference between lamp inside & outside.
- To remove the moisture formed inside the headlamps. Switch ON the headlamps for 30 minutes and the moisture will automatically disappear within 30 minutes.

Front Fog Lights

Fog lights are used to provide improved visibility when visibility is poor due to fog, rain or snow etc. The fog light switch (1) is turned to the ON position (2) after the parking is turned ON. Also the ignition switch should be in ON position.

To turn off the fog lights, turn the switch to the off position.



Hazard Warning Flasher

The hazard warning flasher should be used whenever you find it necessary to stop the vehicle in hazardous location.

The hazard warning lights are turned ON/OFF by pushing in the hazard switch, this causes all turn signal to blink. The hazard warning lights will operate even though the key is not in the ignition switch.

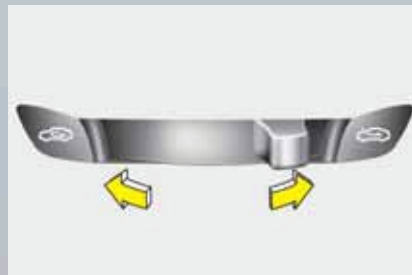


Manual Climate Control

1. **Temperature Control:** This is used to turn the heating on and off and to select the degree of temperature desired.
2. **A/C on and off switch:** The air condition is turned on by starting the AC button.
3. **Air Intake Control:** This allows you to select fresh outside air or to recirculate inside air.

Recirculated Air Position: The indicator light on the button illuminates when the recirculated air position is selected, with the recirculated air position selected, air from passenger compartment will recirculate in the passenger compartment.


Fresh Air Position: With the outside (fresh) air position selected, air enters the vehicle from outside and is heated or cooled according to the function selected.



4. **Air Flow Control:** This is used to direct the flow of air. Air can be directed to floor, face, dashboard outlets or windshield.
5. **Fan Speed Control:** This is used to control the blower speed and turn the blower fan on or off.

Defogging Windshields

a) To remove internal fog on windshield

- Set air intake to fresh air mode by switching off recirculation mode.
- Set air flow to defrost 
- Turn ON the A/C
- Set temperature control to desired position
- Set fan speed as required

b) To remove external fog on windshield

- Set air intake to fresh air mode by switching off recirculation mode
- Set air flow control to defrost
- Set temperature control to warm
- Set fan speed to higher position

Note:

- Blower without A/C should only be used with fresh air mode to avoid any fogging.
- Operate A/C at first blower after initial cooling at high speed.
- Do not turn the louvers towards window side to prevent formation of fog on windows.

Does your A/C get cold enough ?

- If the interior of the car is very hot when you first get in, open the windows for a few minutes to expel the hot air.
- When you are using the air conditioning system, keep all windows closed to keep hot air out.
- When moving slowly, as in heavy traffic, shift to a lower gear. This increases engine speed, which in turn increases the speed of the air conditioning compressor.
- On steep grades, turn the air conditioning off to avoid the possibility of the engine over heating.
- During winters or in periods when the air conditioning is not used regularly, run the air conditioning once every 15 days for a few minutes. This will help circulate the lubricants and keep your system in peak operation condition.
- To prevent dust or unpleasant fumes from entering the car through the ventilation system, temporarily set the air intake control at the recirculation mode. Be sure to return the control to the fresh air mode.

For Clear visibility during driving

Wiper Speed: The windshield wiper switch has three positions: Low, Intermittent and High speed. For mist (Single Wipe), move the lever one up position.

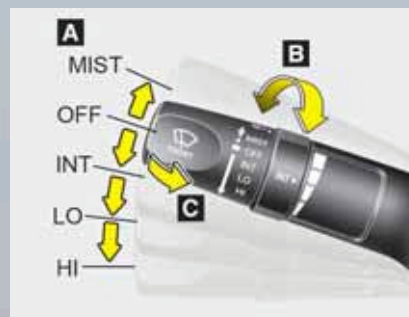
MIST: For a single wiping cycle, push the lever upward and release it. The wipers will operate continuously if the lever is pushed upward and held.

OFF: Wiper is not in operation

INT: Wiper operates intermittently at the same wiping intervals. Use this mode in light rain or mist. (if equipped)

LO : Normal wiper speed

HI: Fast wiper speed



Wiper Washers: To use the windshield washer, pull the wiper/ washer lever towards you. When the washer lever is operated, the wipers automatically make two passes across the windshield. The washer continues to operate until the lever is released.

For Smooth Gear shifting

- Hyundai EON manual transaxle has 5 forward and 1 reverse gears, this shift pattern is imprinted on the gear shift lever knob.
- During cold weather, shifting may be difficult until the transmission fluid has warmed up. This is normal and not harmful to the transaxle.



NOTE:

- The Clutch should be pressed all the way to the floor before gear shifting then released slowly after finishing gear change for smooth acceleration.
- When blocking happens during shift into reverse gear, slightly lift your foot to a quarter of the full stroke while pushing the lever to the reverse gear direction.
- There can be gear grinding noise if you shift into "R" position too quickly or with vehicle moving to prevent it move the lever into "R" position after your car is completely stopped.

Power Outlet (if equipped)

- When the ignition switch is in the ACC or ON position, the power outlet can be used. The power outlet is designed to provide power for mobile phones/ cigarette lighter or other devices designed to operate with vehicle electrical systems.

Note: These devices should draw less than **10amps** with the engine running.



Tilt Steering Wheel (If equipped)

- To adjust the steering wheel
- Pull the lever downwards to unlock.
- Raise or lower the steering wheel to the desired position.
- After adjustments, securely tighten the lever by pushing it upwards.

Note: Do not adjust the steering while driving.



Economical Operation

Inflate tyres at correct pressure

- Maintain correct tyres pressure (33 psi).
 - Under inflation can add up to 10% extra fuel bill.
- Maximise use of 5th gear & drive at cost conscious speed of 45-50 kmph.
 - Maximise the use of 5th gear for better fuel economy. 5th over drive gear increases fuel efficiency by 20% to 25% as compared to 3rd gear driving.
- Are you driving in low gears to make your engine a fuel-holic?
 - Drive your car in correct gear.

Note:

- It is wrong to assume the 5th overdrive gear is only for high speed highway driving. Use of 5th overdrive gear in city driving will greatly help to improve fuel economy.

Avoid frequent gear changes, acceleration & braking.

- Avoid frequent gear changes, acceleration & braking through planned driving by looking ahead and judging the speed of other vehicle & timing of traffic lights etc.

Idling car is the devil's workshop.

- Three minutes idling = 1 km lost. Do not keep the engine idling for more than 2 minutes while waiting for somebody, loading or unloading or while being-stopped by congested traffic or signal.

Use air conditioner only when it is essential.

- Use air conditioner judiciously as it consumes around 20-25% of total fuel consumed.

Do not ride the clutch pedal.

- Do not ride the clutch pedal. This will cause its slippage resulting in more fuel consumption and damage to the clutch parts.

Travel light

- Take all unnecessary load off your car. Avoid carrying stuff you don't require for present trip. Travelling light allows your engine to run smoothly without wasting effort & fuel.

Regular service saves fuel.

- Get your car regularly serviced & tuned for improved performance (ex. engine oil & filter).

Releasing Parking Brake before take off.

- Releasing Parking Brake fully before take off to avoid straining of Brakes & Engine.

Use Hyundai Genuine oil to increase the mileage.

- If you already know that good engine oil is vital to your engine's long life and smooth performance, it is rather easy to choose one. Use only Hyundai Genuine Oils for Engines, Transmission, Brakes and Radiator Coolant.



Note : Driving habit and traffic condition will effect the fuel economy.

UNDER NORMAL VEHICLE OPERATION

There may be a number of operation conditions where you may experience a slight change in engine speed. These conditions do not indicate a problem, in fact, they are normal. We are providing you with this information to ensure that you have accurate information regarding your vehicle.

Note: Some of the features listed below are optional on some vehicles and may not be applicable to your specific vehicle.

Engine Power Condition When Air Conditioner is ON

AC Compressor is connected with engine to make use of engine power for compressor function, whenever AC is ON, and there will be minor drop in engine power due to power sharing from engine to AC compressor, which is a normal phenomenon and there is no existence of engine power loses.

